

MODEL 511

Portable Fixed Height Gantry Crane

Designed for everyday use, gantry cranes are recommended for production, installation, and maintenance service where portability is required. Depending on the capacity, the gantry is equipped with phenolic, poly coated, or forged steel heavy duty swivel casters. All caster types feature roller bearings for ease of movement and grease fittings are included for ease of maintenance. 'V' Groove and flanged wheels are also available upon request.

CAPACITIES & SPANS - Rated loads from 1/8 to 10 ton with span lengths up to 30+ feet.

FEATURES & BENEFITS

- Economical solution when portability is required
- No Foundation Requirement
- *Motorization available*

OPTIONS & ACCESSORIES

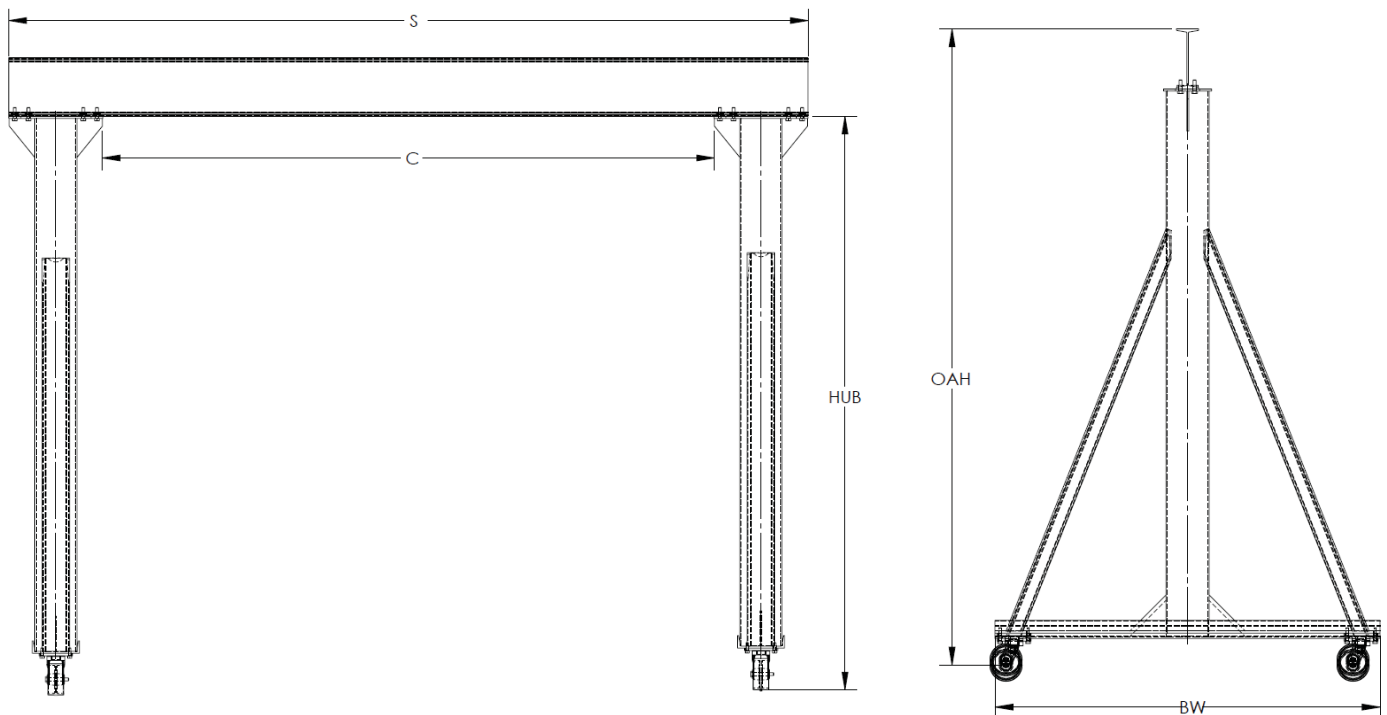
- Tight Wire Kit (Festooning/"Tagline")
- Swivel Locks
- Wheel Locks
- Rigid or 'V' Groove Casters
- Hoist & Trolley Packages
- Motorization
- **ALUMINUM CONSTRUCTION AVAILABLE**



MADE IN



U. S. A.



Portable Fixed Height Gantry Crane

Capacity	S Span	Model Number	HUB	OAH	C Clear Span	I-Beam Depth
1 TON	8'	511-2000-8-10	10'	10'-8"	7'-0"	8"
		511-2000-8-12	12'	12'-8"	7'-0"	8"
		511-2000-8-15	15'	15'-8"	7'-0"	8"
	10'	511-2000-10-10	10'	10'-8"	9'-0"	8"
		511-2000-10-12	12'	12'-8"	9'-0"	8"
		511-2000-10-15	15'	15'-8"	9'-0"	8"
	12'	511-2000-12-10	10'	10'-8"	11'-0"	8"
		511-2000-12-12	12'	12'-8"	11'-0"	8"
		511-2000-12-15	15'	15'-8"	11'-0"	8"
	15'	511-2000-15-10	10'	10'-8"	14'-0"	8"
		511-2000-15-12	12'	12'-8"	14'-0"	8"
		511-2000-15-15	15'	15'-8"	14'-0"	8"
	20'	511-2000-20-10	10'	10'-10"	19'-0"	10"
		511-2000-20-12	12'	12'-10"	19'-0"	10"
		511-2000-20-15	15'	15'-10"	19'-0"	10"
2 TON	8'	511-4000-8-10	10'	10'-8"	7'-0"	8"
		511-4000-8-12	12'	12'-8"	7'-0"	8"
		511-4000-8-15	15'	15'-8"	7'-0"	8"
	10'	511-4000-10-10	10'	10'-8"	9'-0"	8"
		511-4000-10-12	12'	12'-8"	9'-0"	8"
		511-4000-10-15	15'	15'-8"	9'-0"	8"
	12'	511-4000-12-10	10'	10'-8"	11'-0"	8"
		511-4000-12-12	12'	12'-8"	11'-0"	8"
		511-4000-12-15	15'	15'-8"	11'-0"	8"
	15'	511-4000-15-10	10'	10'-10"	14'-0"	10"
		511-4000-15-12	12'	12'-10"	14'-0"	10"
		511-4000-15-15	15'	15'-10"	14'-0"	10"
	20'	511-4000-20-10	10'	11'-0"	18'-6"	12"
		511-4000-20-12	12'	13'-0"	18'-6"	12"
		511-4000-20-15	15'	16'-0"	18'-6"	12"
3 TON	8'	511-6000-8-10	10'	10'-10"	6'-6"	10"
		511-6000-8-12	12'	12'-10"	6'-6"	10"
		511-6000-8-15	15'	15'-10"	6'-6"	10"
	10'	511-6000-10-10	10'	10'-10"	8'-6"	10"
		511-6000-10-12	12'	12'-10"	8'-6"	10"
		511-6000-10-15	15'	15'-10"	8'-6"	10"
	12'	511-6000-12-10	10'	10'-10"	10'-6"	10"
		511-6000-12-12	12'	12'-10"	10'-6"	10"
		511-6000-12-15	15'	15'-10"	10'-6"	10"
	15'	511-6000-15-10	10'	11'-0"	13'-6"	12"
		511-6000-15-12	12'	13'-0"	13'-6"	12"
		511-6000-15-15	15'	16'-0"	13'-6"	12"
	20'	511-6000-20-10	10'	11'-2"	18'-0"	14"
		511-6000-20-12	12'	13'-2"	18'-0"	14"
		511-6000-20-15	15'	16'-2"	18'-0"	14"

Model Number Explanation

Model Number - Capacity - Span - HUB.

Example: 3 ton gantry with a 10 foot span and a 14 foot HUB: 511 = Portable Fixed Height Gantry Crane, 6000 = 3 Ton, 10 = Span, 15 = HUB (511-6000-10-15). **Larger Capacities & Spans Available - Motorized Units Available**

MODEL 512

Portable Adjustable Height Gantry Crane

Designed for everyday use, gantry cranes are recommended for production, installation, and maintenance service where portability is required. Depending on the capacity, the gantry is equipped with phenolic, poly coated, or forged steel heavy duty swivel casters. All caster types feature roller bearings for ease of movement. Grease fittings are included for ease of maintenance. 'V' Groove and flanged wheels are also available upon request.

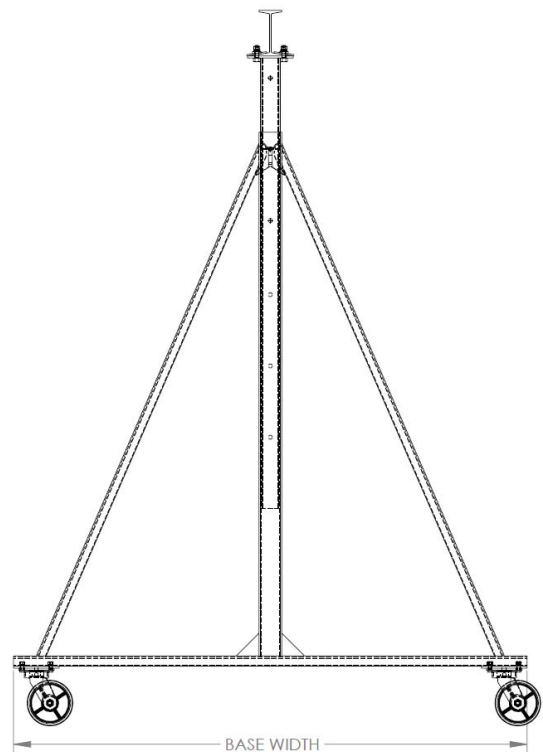
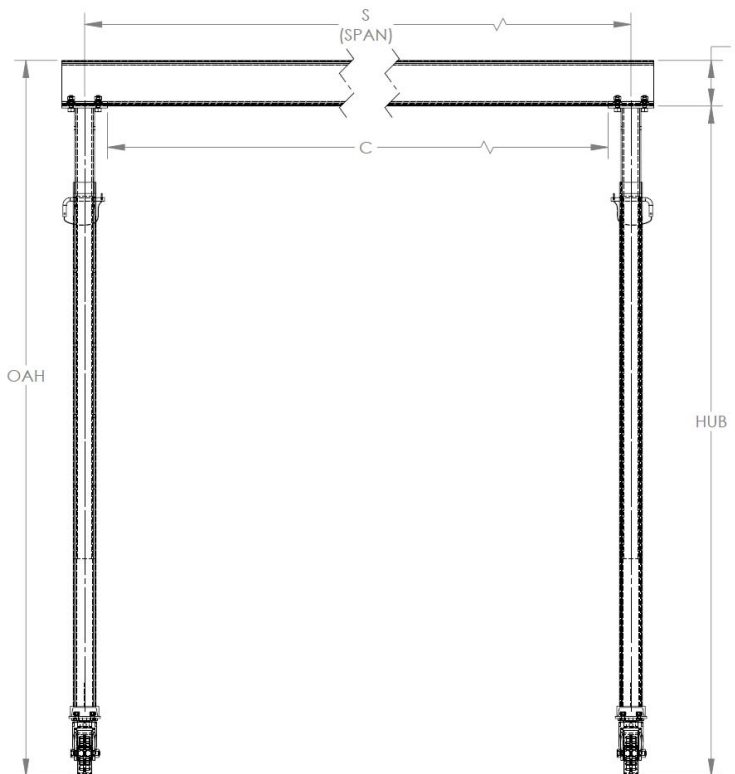
CAPACITIES & SPANS - Rated loads from 1/8 to 10 ton with span lengths up to 30+ feet.

FEATURES & BENEFITS

- **Adjustable** Height and Span
- Economical solution when portability is required
- No Foundation Requirement
- *Motorization available*

OPTIONS & ACCESSORIES

- Tight Wire Kit (Festooning/"Tagline")
- Swivel Locks
- Wheel Locks
- Rigid or 'V' Groove Casters
- Hoist & Trolley Packages
- Motorization
- **ALUMINUM CONSTRUCTION AVAILABLE**



Portable Adjustable Height Gantry Crane

Capacity	S Span	Model Number	HUB Min/Max	OAH Min/Max	C Clear Span	I-Beam Depth
1 TON	8'	512-2000-8-10	6'-5" to 10'-0"	7'-1" to 10'-8"	6'-6"	8"
		512-2000-8-12	7'-5" to 12'-0"	8'-1" to 12'-8"	6'-6"	8"
		512-2000-8-15	9'-5" to 15'-0"	10'-1" to 15'-8"	6'-6"	8"
	10'	512-2000-10-10	6'-5" to 10'-0"	7'-1" to 10'-8"	8'-6"	8"
		512-2000-10-12	7'-5" to 12'-0"	8'-1" to 12'-8"	8'-6"	8"
		512-2000-10-15	9'-5" to 15'-0"	10'-1" to 15'-8"	8'-6"	8"
	12'	512-2000-12-10	6'-5" to 10'-0"	7'-1" to 10'-8"	10'-6"	8"
		512-2000-12-12	7'-5" to 12'-0"	8'-1" to 12'-8"	10'-6"	8"
		512-2000-12-15	9'-5" to 15'-0"	10'-1" to 15'-8"	10'-6"	8"
	15'	512-2000-15-10	6'-5" to 10'-0"	7'-1" to 10'-8"	13'-6"	8"
		512-2000-15-12	7'-5" to 12'-0"	8'-1" to 12'-8"	13'-6"	8"
		512-2000-15-15	9'-5" to 15'-0"	10'-1" to 15'-8"	13'-6"	8"
	20'	512-2000-20-10	6'-5" to 10'-0"	7'-3" to 10'-10"	18'-6"	10"
		512-2000-20-12	7'-5" to 12'-0"	8'-3" to 12'-10"	18'-6"	10"
		512-2000-20-15	9'-5" to 15'-0"	10'-3" to 15'-10"	18'-6"	10"
2 TON	8'	512-4000-8-10	6'-9" to 10'-0"	7'-5" to 11'-0"	6'-6"	8"
		512-4000-8-12	7'-9" to 12'-0"	8'-5" to 13'-0"	6'-6"	8"
		512-4000-8-15	9'-9" to 15'-0"	10'-5" to 15'-8"	6'-6"	8"
	10'	512-4000-10-10	6'-9" to 10'-0"	7'-5" to 11'-0"	8'-6"	8"
		512-4000-10-12	7'-9" to 12'-0"	8'-5" to 13'-0"	8'-6"	8"
		512-4000-10-15	9'-9" to 15'-0"	10'-5" to 15'-8"	8'-6"	8"
	12'	512-4000-12-10	6'-9" to 10'-0"	7'-5" to 11'-0"	10'-6"	8"
		512-4000-12-12	7'-9" to 12'-0"	8'-5" to 13'-0"	10'-6"	8"
		512-4000-12-15	9'-9" to 15'-0"	10'-5" to 15'-8"	10'-6"	8"
	15'	512-4000-15-10	6'-9" to 10'-0"	7'-7" to 10'-10"	13'-6"	10"
		512-4000-15-12	7'-9" to 12'-0"	8'-7" to 12'-10"	13'-6"	10"
		512-4000-15-15	9'-9" to 15'-0"	10'-7" to 15'-10"	13'-6"	10"
	20'	512-4000-20-10	6'-9" to 10'-0"	7'-9" to 11'-0"	18'-6"	12"
		512-4000-20-12	7'-9" to 12'-0"	8'-9" to 13'-0"	18'-6"	12"
		512-4000-20-15	9'-9" to 15'-0"	10'-9" to 16'-0"	18'-6"	12"
3 TON	8'	512-6000-8-10	6'-11" to 10'-0"	7'-9" to 10'-10"	6'-6"	10"
		512-6000-8-12	7'-11" to 12'-0"	8'-9" to 12'-10"	6'-6"	10"
		512-6000-8-15	9'-11" to 15'-0"	10'-9" to 15'-10"	6'-6"	10"
	10'	512-6000-10-10	6'-11" to 10'-0"	7'-9" to 10'-10"	8'-6"	10"
		512-6000-10-12	7'-11" to 12'-0"	8'-9" to 12'-10"	8'-6"	10"
		512-6000-10-15	9'-11" to 15'-0"	10'-9" to 15'-10"	8'-6"	10"
	12'	512-6000-12-10	6'-11" to 10'-0"	7'-9" to 10'-10"	10'-6"	10"
		512-6000-12-12	7'-11" to 12'-0"	8'-9" to 12'-10"	10'-6"	10"
		512-6000-12-15	9'-11" to 15'-0"	10'-9" to 15'-10"	10'-6"	10"
	15'	512-6000-15-10	6'-11" to 10'-0"	7'-11" to 11'-0"	13'-6"	12"
		512-6000-15-12	7'-11" to 12'-0"	8'-11" to 13'-0"	13'-6"	12"
		512-6000-15-15	9'-11" to 15'-0"	10'-11" to 16'-0"	13'-6"	12"
	20'	512-6000-20-10	6'-11" to 10'-0"	8'-1" to 11'-2"	18'-0"	14"
		512-6000-20-12	7'-11" to 12'-0"	9'-1" to 13'-8"	18'-0"	14"
		512-6000-20-15	9'-11" to 15'-0"	11'-1" to 16'-2"	18'-0"	14"

Model Number Explanation

Model Number - Capacity - Span - HUB.

Example: 3 ton gantry with a 10 foot span and a 14 foot HUB: 511 = Adjustable Height Gantry Crane, 6000 = 3 Ton, 10 = Span, 15 = MAX HUB (512-6000-10-15).

Larger Capacities & Spans Available - Motorized Units Available