

HANDLE·IT[®]

GUARD RAIL

Provides maximum security against forklift accidents

Can take 10,000 lbs at 4 MPH with only 12" of deflection max

Easiest to install in the industry

GUARD RAIL

Features and Benefits

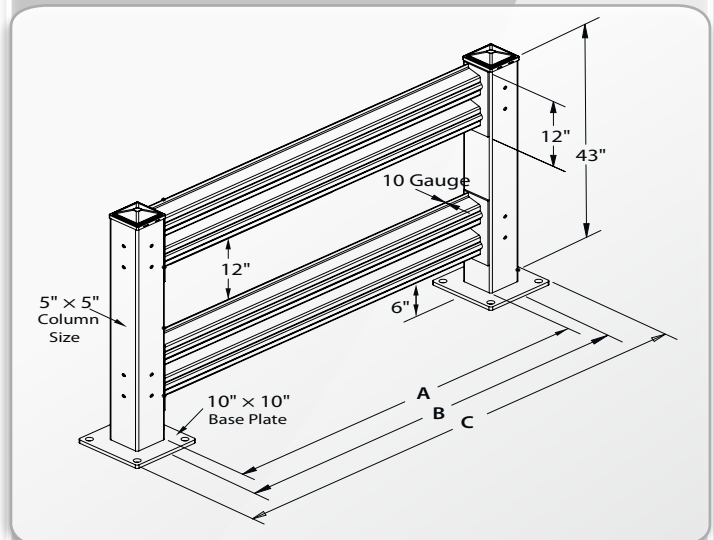
- Designed, tested and rated to withstand 10,000lbs at 4 MPH
- Smooth plastic plugs are provided to fill unused holes in columns; giving it a finished look
- Powdercoated safety yellow for high visibility and durability
- Columns are 4.75" x 4.75" steel square tubes mounted on a 10" x 10" base plate
- Hole sets are on all four sides of the column; enables 90 degree turns
- Anchoring and mounting hardware is included, which allows immediate installation
- In stock and same day shipping is available

Options

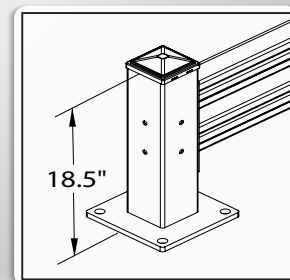
- Lift Out Adapter option allows for removable sections of guard rail
- Down Guard Adapter option provides floor-level protection
- Hinged Gate Assembly enables sections of rail to swing open. Makes protected area more easily accessible.
- Custom sizes can be made for the exact amount of protection required



Double Rail System



Single Rail System



Guard Rail Dimensions

Part	A	B	C
	Rail Length	Center to Center of Columns	Outside to Outside of Base Plates
GR-10	115"	120"	130"
GR-9	103"	108"	118"
GR-8	91"	96"	106"
GR-7	79"	84"	94"
GR-6	67"	72"	82"
GR-5	55"	60"	70"
GR-4	43"	48"	58"
GR-3	31"	36"	46"
GR-2	19"	24"	34"

Note:

- Add 1" to dimensions B and C if Lift Out Adapter or Down Guard Adapter are being used
- Add 1.5" to dimensions B and C if using Hinge Option

HANDLE-IT®

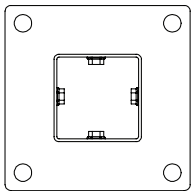
GUARD RAIL

Ordering Information

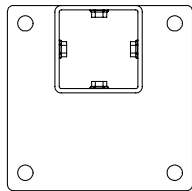
Model Number	Description	Weight (lbs.)	Rail Thickness	Rail Height
Guard Rail				
GR-10	10' Rail	74	1/8"	12"
GR-9	9' Rail	67	1/8"	12"
GR-8	8' Rail	60	1/8"	12"
GR-7	7' Rail	55	1/8"	12"
GR-6	6' Rail	46	1/8"	12"
GR-5	5' Rail	41	1/8"	12"
GR-4	4' Rail	32	1/8"	12"
GR-3	3' Rail	25	1/8"	12"
GR-2	2' Rail	18	1/8"	12"
Standard Columns				
CS-1	Single Rail Column	31		
CS-2	Double Rail Column	52		
CS-3	Triple Rail Column	52		
Special Options				
LOA	Lift-Out Adapter (Pair)	12		
DGA	Down Guard Adapter	13		
AA-45	Angle Adapter	12		
RH-2	Hinged Gate Assembly	12		
CSC-1	Single Rail Corner Column	31		
CSO-1	Single Rail Offset Column	31		
CSC-2	Double Rail Corner Column	52		
CSO-2	Double Rail Offset Column	52		

All assembly and 3/4" anchoring hardware and caps included. Bolt holes located on all four sides of the column.

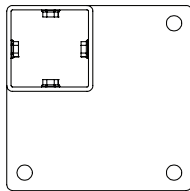
Column Options



Standard Column (CS)



Offset Column (CSO)



Corner Column (CSC)

Guard Rail Special Options



Lift-Out Adapter

To access equipment or space behind the guard rail system, Lift-Out Adapters are available. These adapters use slot assemblies on the columns to allow the rails to be removed and then dropped back into place.



Down Guard Adapter

Holds the bottom rail down to the column base plates and closes the gap between the bottom of the rail and the floor. Provides low-height protection, especially against forklift forks.



45° Angle Option

Allows a guard rail system to closely follow the contour of what is being protected, and maximizes the open floor space.



Hinged Gate Option

Enables access to equipment or space behind the guard rail system while rails remain attached to the columns. Adds convenience to a Guard Rail System.

Protection Equipment Specification

To ensure proper protection, consider the following:

- Measure overall length of the area that is to be protected.
- Is there a protruding object or other unusual configuration to measure? (i.e. going around corners, etc.)
- Is this a single, double or triple-high rail application?
- Placing protection equipment a minimum of 12" in front of what you're protecting is required to achieve the proper protection.
- Do columns need to be offset on the base plate or is the column to be placed in the corner of the base plate?

Areas of Installation

Guard rails are designed to protect in-plant offices, mezzanines, machinery, electrical panels, water mains, storage areas, and most importantly, personnel.

Guarantee and Warranty

Personal and professional customer service is offered on all Handle-It Guard Rails. Our Guard Rail carries a one-year limited warranty on all materials and workmanship.